



In literary terms, an allusion is a reference, a hint. In the Allusion® air bath, you'll discover much more than the mere suggestion of luxury. With clean, contemporary, minimalist lines, the Allusion® family of products makes an striking statement — one that speaks to more than a hint of style.

FEATURES:

- Exclusive 360° Balanced Air Flow™ system
- 800 watt heated air blower
- Thermal lumbar comfort™ (TLC)
- Safely use salts and aromatic oils
- Exclusive Tru-Level™ self leveling base system
- Slip-resistant bottom
- Exclusive bottom air channel drainage system
- All-in-one electronic control panel
- ProO<sub>3</sub>™ Ozone Sanitation System standard

*Detail: The Allusion® Pure Air® II bath's contemporary form is pure sculpture. The exclusive Jacuzzi® TLC system delivers pure rejuvenation.*

**Allusion® 7242  
PURE AIR® II BATH**

MODEL NUMBER:  
Y200

EXTERIOR DIMENSIONS:  
72" long x 42" wide x  
26" high

OPERATING GALLONS:  
73 gallons





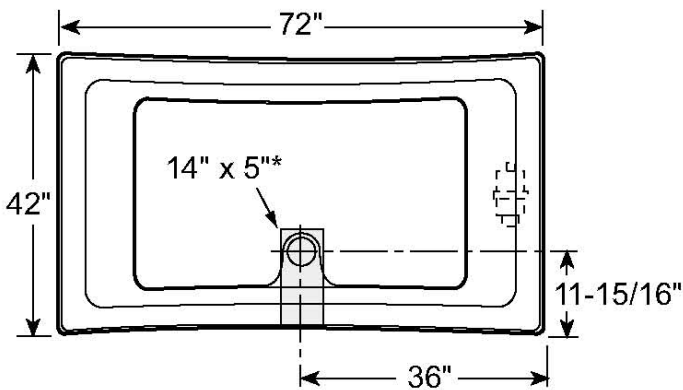
# Allusion® 7242

## PURE AIR® II BATH

**Y200**

Allusion® 7242 Pure Air® II Bath, Right Hand  
(Includes a required drain/actuator kit in chrome)

- Accessories / Hardware:  
Trim Kit Rotary: #BN21
- Trim Kit Finishes Available:  
(827) – Chrome  
(898) – Brushed Chrome  
(815) – Satin Nickel  
(829) – Bright Brass  
(805) – Platinum  
(826) – Brushed Nickel  
(845) – Oil Rubbed Bronze



**Product Shown: Allusion® 7242 Pure Air® II Bath Right Hand (Y200) Shown.**

\* Measurements inside unit represent cutout in floor to allow for drain/overflow.

### INSTALLATION NOTES

Refer to installation instructions included with fixture before beginning installation. Please confirm product availability and specifications before commencing with any installation work.

PRODUCT SPECIFICATIONS AND AVAILABILITY ARE SUBJECT TO CHANGE WITHOUT NOTICE.

### Technical Specifications

#### DIMENSIONS

72" L x 42" W x 26" H  
(1829 mm) L x (1067 mm) W x (660 mm) H

#### DRAIN/OVERFLOW

A: 17-3/8" (441 mm) B: 11-15/16" (210 mm)

#### CUTOUT

Template provided Part Number BY20000

#### TOTAL WEIGHT

1161 lb (527 kg) / 55 lb/sq. ft. (268 kg/m<sup>2</sup>)

#### OPERATING GALLONAGE

Min-Max: 73-94 U.S. Gal. (277-356 Liters)

#### PRODUCT WEIGHT

155 lb (70 kg)

#### SKIRT MOUNTING

Not Available

#### ELECTRICAL SPECIFICATIONS

Requires a dedicated GFCI protected separate circuit.

Blower: 120 VAC, 20 AMP, 60 Hz.

#### HEATER

No water heater is available on this unit. Blower has integral air heater.

